

# Oven Controlled Crystal Oscillator

## 25 x 25mm Low Noise OCXO – Family Data Sheet

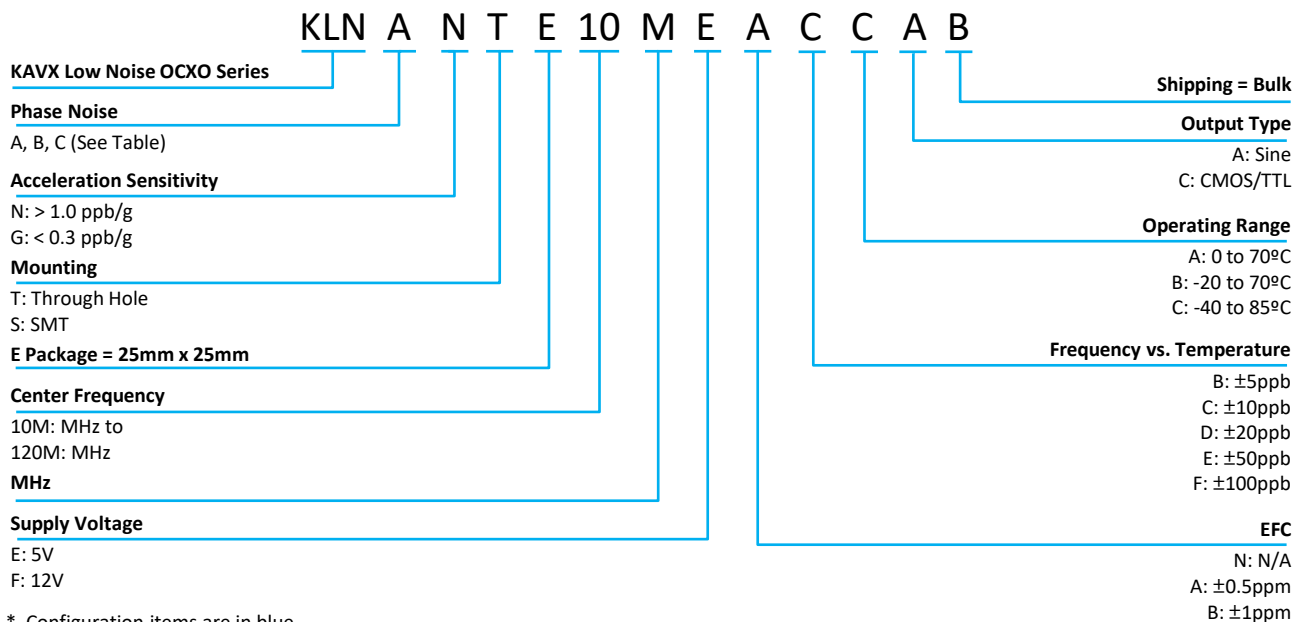


### FEATURES

- Thru Hole or Surface Mountable
- Superior Frequency Stability
- Ultra Low Phase Noise
- Low Acceleration Sensitivity
- Tolerant to Micro Vibrations
- Low Age Rates
- 25 x 25mm Package

KYOCERA AVX's ultra low phase noise OCXO product offering is a result of 90+ years of leading products within the Frequency Control Industry. Modern layout topologies enable KYOCERA AVX to engineer and manufacture robust designs for all applications.

### HOW TO ORDER

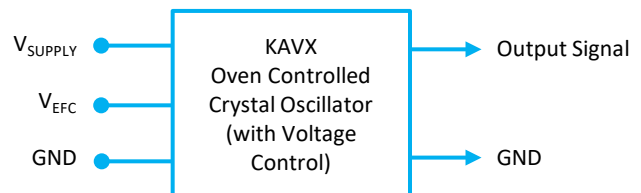


\* Configuration items are in blue  
 \*\* Not all combinations of options may be possible  
 \*\*\* Other options may be available

### APPLICATIONS

- Network Infrastructure
- Phase Locked Microwave Applications
- Low Noise Test and Measurement Systems
- GPS Precision Timing Devices
- Military High-Performance Devices
- Medical Devices
- Aerospace
- Industrial

### BLOCK DIAGRAM



Note: If EFC Option "N" is used, connect V<sub>EFC</sub> to GND



The Important Information/Disclaimer is incorporated in the catalog where these specifications came from or available online at [www.kyocera-avx.com/disclaimer/](http://www.kyocera-avx.com/disclaimer/) by reference and should be reviewed in full before placing any order

# Oven Controlled Crystal Oscillator

## 25 x 25mm Low Noise OCXO – Family Data Sheet



### PERFORMANCE SPECIFICATIONS

Parameter	Conditions	Values			Unit
		MIN	TYP	MAX	
Frequency Range		10		120	MHz
Initial Tolerance	10 MHz @ +25°C (Nominal)			±100	ppb
	100 MHz @ +25°C (Nominal)			±250	ppb
Warm Up Time	To initial tolerance			5	Min
Frequency Stability					
vs. Temperature	Options B - (Max-Min)/2		±5		ppb
	Options C - (Max-Min)/2		±10		ppb
	Options D - (Max-Min)/2		±20		ppb
	Options E - (Max-Min)/2		±50		ppb
	Options F - (Max-Min)/2		±100		ppb
vs. Load	± 5% Δ in Load		±2		ppb
vs. Supply Voltage	± 5% Δ in supply		±2		ppb
ADEV (Short Term Stability)	T = 1 second		5E-12		
Aging					
Per Day	10 MHz			±1.0	ppb
				±100	ppb
1 <sup>st</sup> Year	10 MHz			±5.0	ppb
				±500	ppb
Per Day	100 MHz			±1.0	ppb
				±100	ppb
1 <sup>st</sup> Year	100 MHz			±5.0	ppb
				±500	ppb
Supply Voltage (Vdd)	Option E	4.75	5	5.25	Vdc
	Option F	11.4	12	12.6	Vdc
Power Dissipation					
Start Up	@ +25°C (Nominal)			5.2	W
Steady State	@ +25°C (Nominal)		1.5		W
Electronic Frequency Control					
Voltage Range	Vdd = 5 Vdc	0	2.5	5	Vdc
	Vdd = 12 Vdc	0	5	10	Vdc
Frequency Range	Option N	0			ppm
	Option A	±0.5			ppm
	Option B	±1.0			ppm
Slope			positive		
Input Impedance			100		kΩ
Linearity			10		%

Note: Values typical of 10MHz units unless defined within



The Important Information/Disclaimer is incorporated in the catalog where these specifications came from or available online at [www.kyocera-avx.com/disclaimer/](http://www.kyocera-avx.com/disclaimer/) by reference and should be reviewed in full before placing any order

# Oven Controlled Crystal Oscillator

## 25 x 25mm Low Noise OCXO – Family Data Sheet



### PERFORMANCE SPECIFICATIONS

Parameter	Conditions	Values			Unit
		MIN	TYP	MAX	
<b>Output Characteristics (CMOS/TTL)</b>					
High Output Level	Logic "1"	90% Vdd			Vdc
Low Output Level	Logic "0"	10% Vdd			Vdc
Rise/Fall Time		5			nSec
Duty Cycle		45	50	55	%
Load		15			pF
<b>Output Characteristics (Sinusoid)</b>					
Output Level		10		16	dBm
Spurious		-80			dBc
Harmonics		-30			dBc
Load		47.5	50	52.5	Ω

Parameter	Conditions	Values			Unit
		A <sup>1,2</sup>	B <sup>1</sup>	C	
<b>Phase Noise</b>					
Phase Noise (10 MHz)	Tested at +25°C (Nominal)				
	10Hz	-130	-125	-120	dBc/Hz
	100Hz	-155	-152	-140	dBc/Hz
	1kHz	-166	-160	-145	dBc/Hz
	10kHz	-173	-170	-155	dBc/Hz
	100kHz	-175	-170	-155	dBc/Hz
Phase Noise (100 MHz)	Tested at +25°C (Nominal)				
	10Hz	-103	-100	-95	dBc/Hz
	100Hz	-133	-130	-125	dBc/Hz
	1kHz	-157	-155	-145	dBc/Hz
	10kHz	-172	-168	-160	dBc/Hz
	100kHz	-175	-172	-170	dBc/Hz

1. Specific Phase Noise performance is subject to Export Control restrictions from the U.S.
2. Please contact Kyocera AVX to analyze Phase Noise requirements that must be lower

Note: Values typical of 10MHz units



The Important Information/Disclaimer is incorporated in the catalog where these specifications came from or available online at [www.kyocera-avx.com/disclaimer/](http://www.kyocera-avx.com/disclaimer/) by reference and should be reviewed in full before placing any order

# Oven Controlled Crystal Oscillator

## 25 x 25mm Low Noise OCXO – Family Data Sheet



### ENVIRONMENTAL COMPLIANCE

Parameter	Conditions	Values			Unit
		MIN	TYP	MAX	
Operating Temperature	Option A	0		+70	°C
	Option B	-20		+70	°C
	Option C	-40		+85	°C
Storage Temperature		-55		+100	°C
Seal	MIL-STD-202 Method 112 Test Condition D				
Shock	MIL-STD-202G Method 213 Test Condition C				
Random Vibration	MIL-STD-810G Method 514 Test Procedure I				
Sinusoidal Vibration	MIL-STD-202G Method 204 Test Condition A				
MTTF	Calculated using MIL-HDBK-217		153,300		Hours
Acceleration Sensitivity	10MHz output Vibration profile: 0.001G <sup>2</sup> /Hz 10Hz to 2kHz		1.0		ppb/g
	"G" Option			0.3	ppb/g



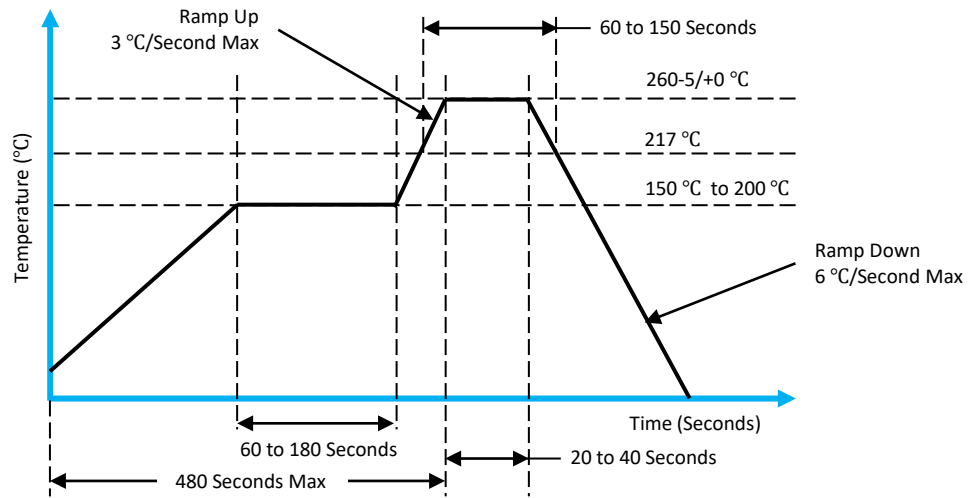
The Important Information/Disclaimer is incorporated in the catalog where these specifications came from or available online at [www.kyocera-avx.com/disclaimer/](http://www.kyocera-avx.com/disclaimer/) by reference and should be reviewed in full before placing any order

# Oven Controlled Crystal Oscillator

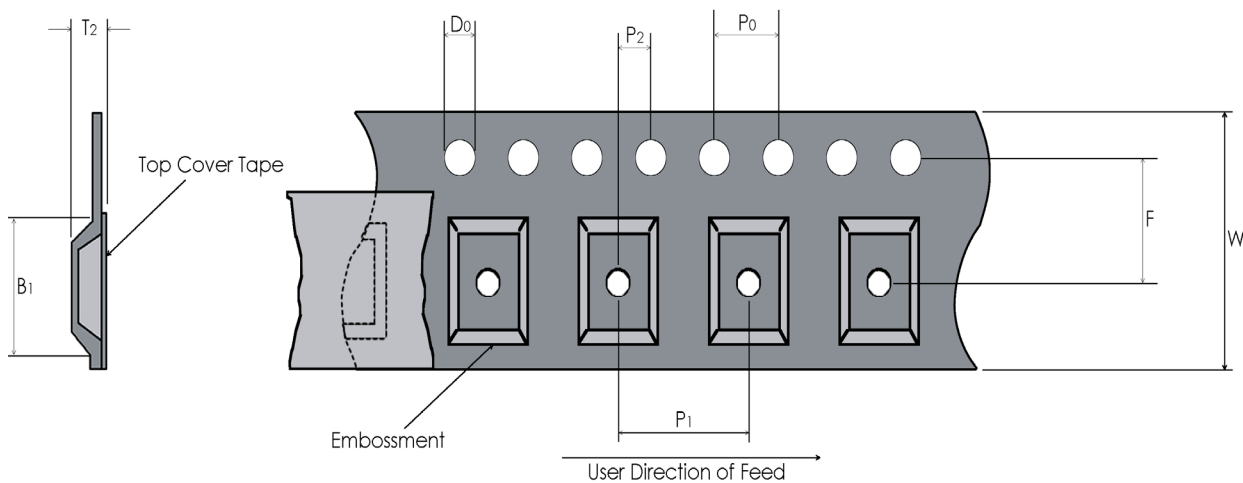
## 25 x 25mm Low Noise OCXO – Family Data Sheet



### ACCEPTABLE REFLOW PROFILE



### TAPE AND REEL



Tape Dimensions (mm)								Reel Dimensions (mm)	
W	F	Do	Po	P1	P2	B1	T2	Outside Dia.	Parts / Reel
56	26.5	1.5	4.0	40	2.0	25.6	17.9	330	250

#### Notes:

1. Profile Classification per IPC/JEDECJ-STD-020C Pb-Free Small Body Assembly
2. Only the SMT version can be selected as a Tape & Reel shipping method
3. If Tape & Reel is required a MOQ of 200-piece increments are required.



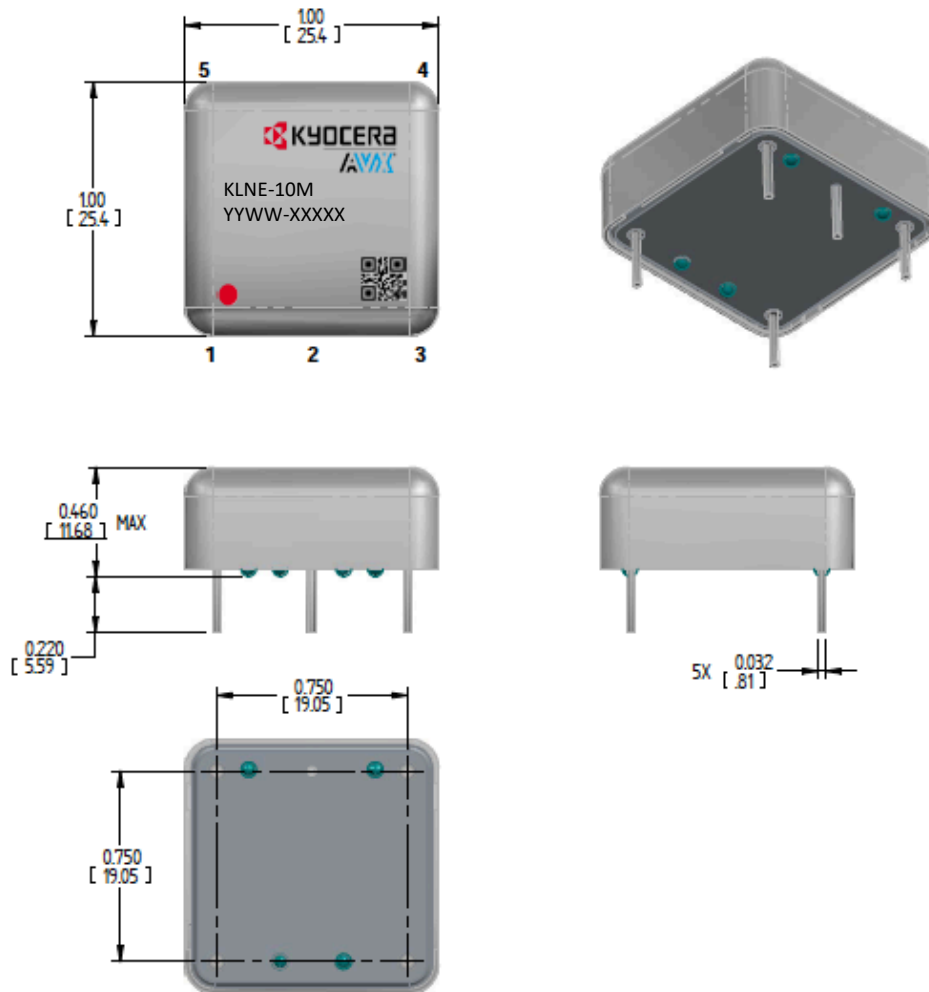
The Important Information/Disclaimer is incorporated in the catalog where these specifications came from or available online at [www.kyocera-avx.com/disclaimer/](http://www.kyocera-avx.com/disclaimer/) by reference and should be reviewed in full before placing any order

# Oven Controlled Crystal Oscillator

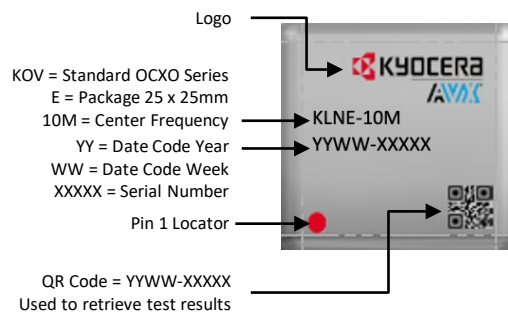
## 25 x 25mm Low Noise OCXO – Family Data Sheet



### MECHANICAL SPECIFICATIONS – THROUGH HOLE



### MARKING



Tolerances (mm) .X = ± 0.5, .XX = ± 0.2 unless otherwise specified

PIN	FUNCTION
1	RF Output
2	Ground
3	EFC / N.C.
4	N.C.
5	Supply Voltage



Notes:  
 • Non-RoHS available upon request



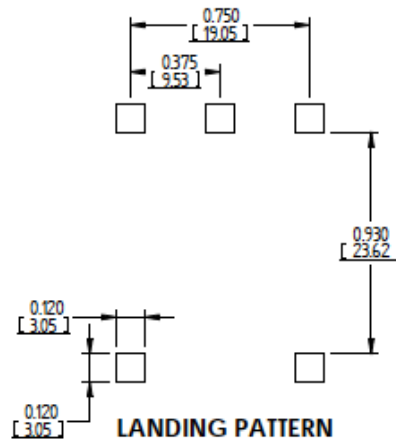
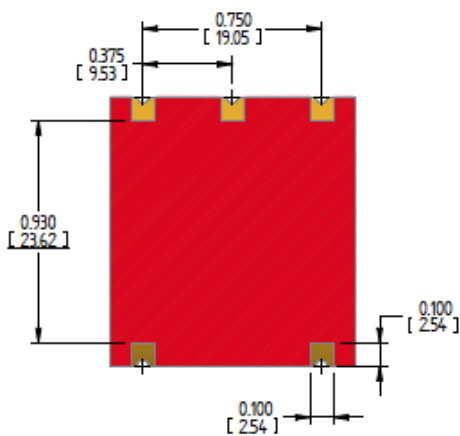
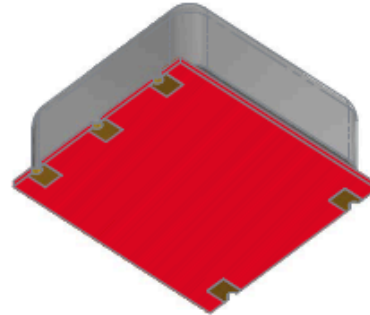
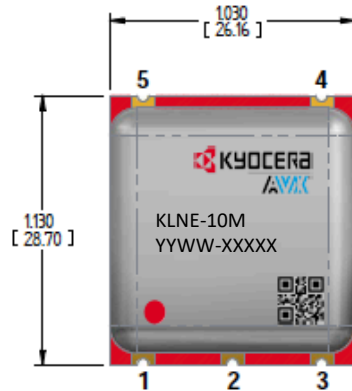
The Important Information/Disclaimer is incorporated in the catalog where these specifications came from or available online at [www.kyocera-avx.com/disclaimer/](http://www.kyocera-avx.com/disclaimer/) by reference and should be reviewed in full before placing any order

# Oven Controlled Crystal Oscillator

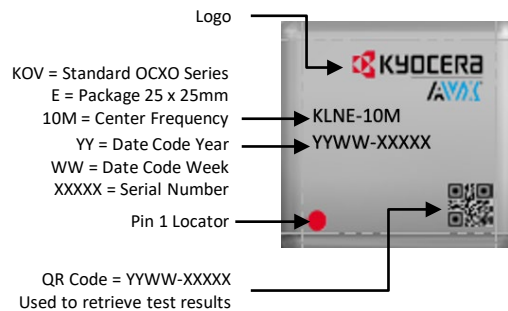
## 25 x 25mm Low Noise OCXO – Family Data Sheet



### MECHANICAL SPECIFICATIONS – SURFACE MOUNT



### MARKING



Tolerances (mm) .X = ± 0.5, .XX = ± 0.2 unless otherwise specified

PIN	FUNCTION
1	RF Output
2	Ground
3	EFC / N.C.
4	N.C.
5	Supply Voltage



Notes:  
 • Non-RoHS available upon request



The Important Information/Disclaimer is incorporated in the catalog where these specifications came from or available online at [www.kyocera-avx.com/disclaimer/](http://www.kyocera-avx.com/disclaimer/) by reference and should be reviewed in full before placing any order