

I/O CONNECTORS

Standard I/O, 15 Position, XX-9157



The 9157 series was specifically designed for portable equipment.

KYOCERA AVX now offers this two-part system as a standard product. The fixed SMT socket is designed to be housed within the confined dimensional constraints of the portable device.

The plug/cover connector has sprung contacts and is designed for termination to accessory equipment. The connector is designed to house fifteen signal contacts on a 1mm pitch rated at 1.5A. There is the option to include a switching RF coax.

A cradle SMT plug connector for docking applications is also available as standard and has the option of including a SMT RF coax.

Whatever your requirements, the 9157 series can also be customized to suit your application.

APPLICATIONS

- Mobile Phones
- PDA
- Medical
- Docking/Charging for any portable device

FEATURES AND BENEFITS

- Patented 20° angled face on the socket gives self-cleaning face when mated with plug.
- Metal Latching area integral to socket which saves PCB real estate.
- Integral to socket is a mechanical 50Ω switching coax for SMT termination.
- Single sprung plug contact design gives ten thousand mating cycles and cleaning/wiping action.
- Customer has option to terminate own RF coax using KYOCERA AVX custom tooling: 06-9157-7116-01-000.
- SMT plug has unique location pyramids that give positive alignment to portable device, and assist blind mating.
- RoHS Compliant.

ELECTRICAL

- Current Rating: 1.5 Amps / Contact
- Voltage Rating: 125 VAC

ENVIRONMENTAL

- Operating Temperature: -55°C to +125°C

MECHANICAL

- Insulator Material: Glass-Filled Nylon 46; UL94 V-0
- Contact Material: Beryllium Copper (plug)
Phosphor Bronze (socket)
- Plating: Gold over Nickel
- Durability: 10,000 Cycles

HOW TO ORDER

Plug Options – Example

XX	9157	015	00X
Prefix	Series	No of Ways	RF Coax Option
10 = Plug 58 = Special		15 = 015	000 = No RF Coax 001 = With RF Coax

Contact Type

Code	Type	Contact Plating
006	Wire	Nickel, Gold Nose, Pure Tin Tail
007	SMT	Nickel, Gold Nose, Pure Tin Tail

PACKING DETAILS

Type	Size	Description
Wire	580	Tube
SMT	300	Tape & Reel

Socket Options – Example

20	9157	015	00X	006
Prefix	Series	No of Ways	RF Coax Option	Contact Type
20 = Socket 58 = Special		15 = 015	000 = No RF Coax 001 = With RF Coax	006 = SMT

Cover Options – Example

30	9157	9700	00	0XX
Prefix	Series	Cover Kit Press and Screw Assembly	Standard	Grommet Variation

Code	Description	Qty
9700	Cover Side	1
	Cover Body	1
	Latch Button	2
	Metal Latch	2
	Fixing Screw	2

Code	Description	Qty
000	No Grommet	NA
035	3.5mm Grommet	1
050	5.0mm Grommet	1

PACKING DETAILS

Kit to be ordered in multiples of 580

Item	Packing	Parts packed in bags of
Cover Side	Pack Parts in Bags Qty as Column 3	580
Cover Body		580
Latch Button		1160
Metal Latch		1160
Grommet		580
Fixing Screw		1160 When Required

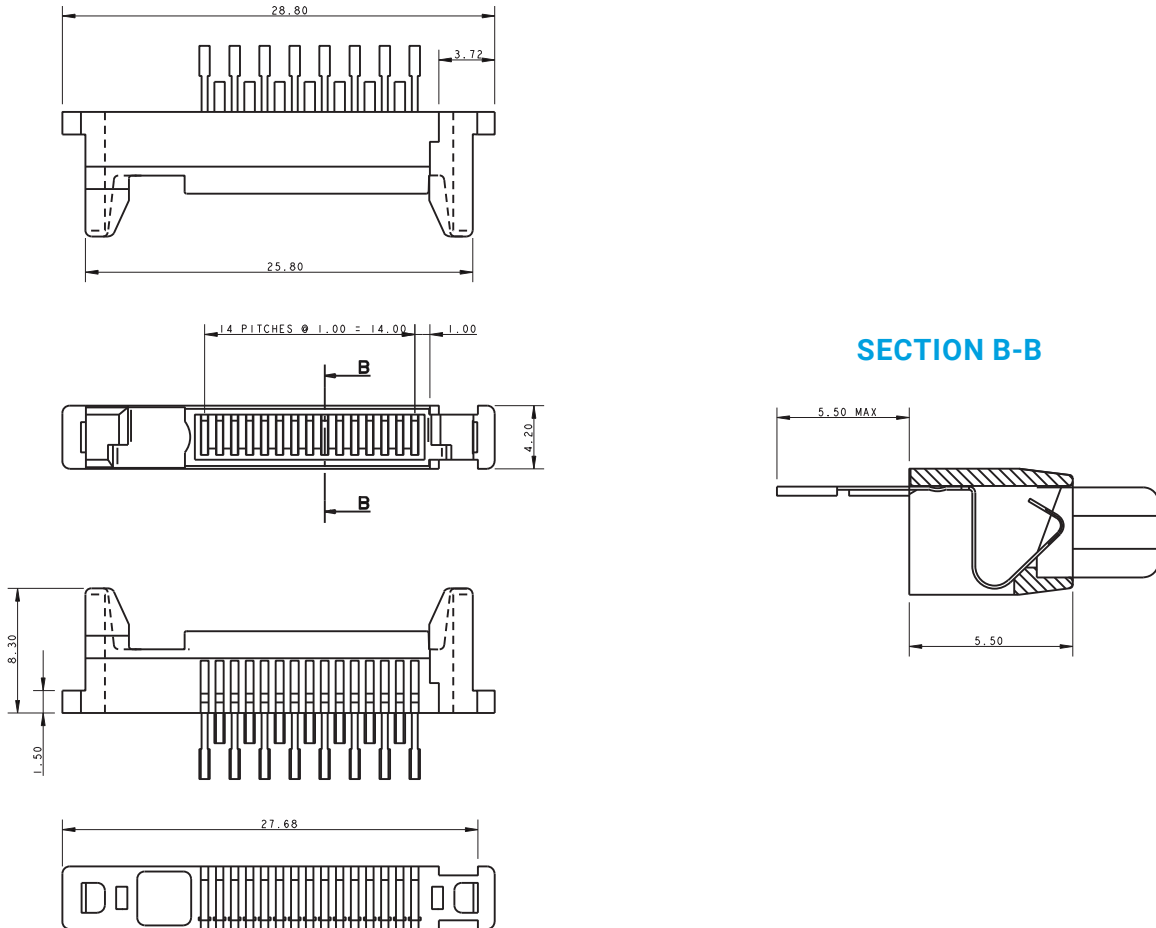


Patent:
2276285
5540599

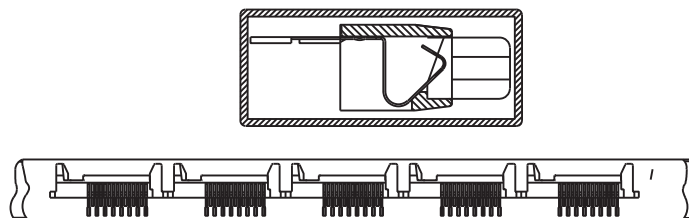
I/O CONNECTORS

Standard I/O, 15 Position, XX-9157

9157 PLUG WIRE WITHOUT COAX



PACKING DETAILS



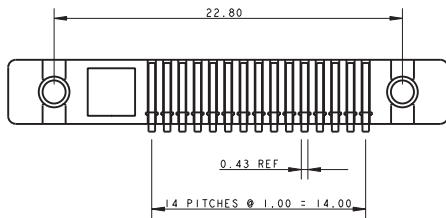
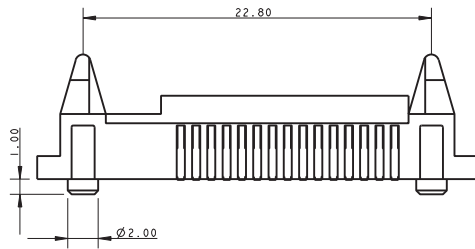
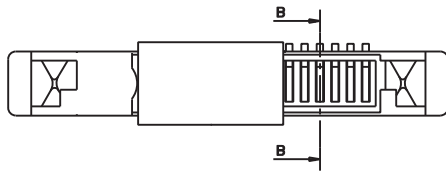
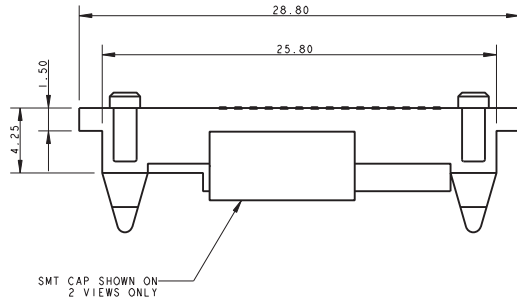
NOTES:

1. ALL DIMENSIONS SHOWN ARE REFERENCE DIMENSIONS.
2. PACKED IN TUBES, 20 PIECES PER TUBE.
3. MINIMUM ORDER QUANTITY 580 PIECES, THEREAFTER TO BE SUPPLIED IN MULTIPLES OF 580.
4. FOR FULL PRODUCT INFORMATION REFER TO ELCO SPECIFICATION 201-01-079.

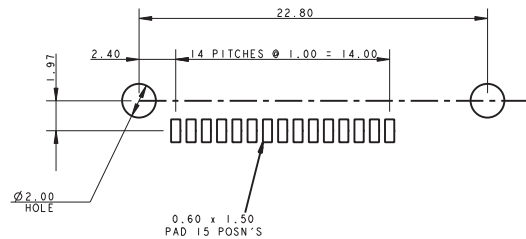
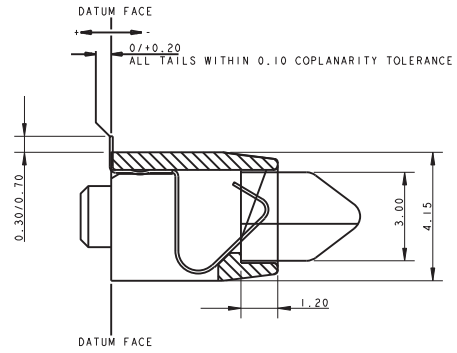
I/O CONNECTORS

Standard I/O, 15 Position, XX-9157

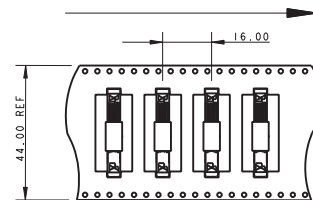
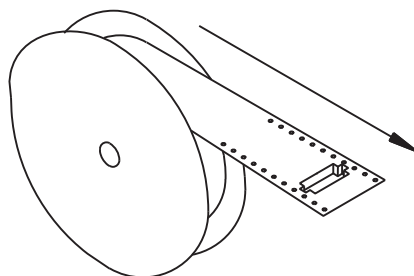
9157 PLUG SMT WITHOUT COAX



SECTION B-B



PACKING DETAILS



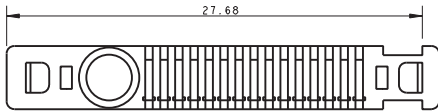
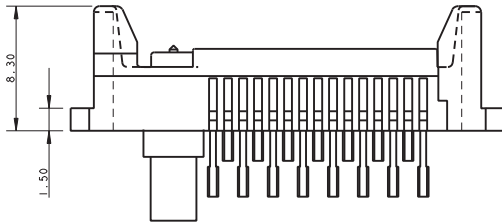
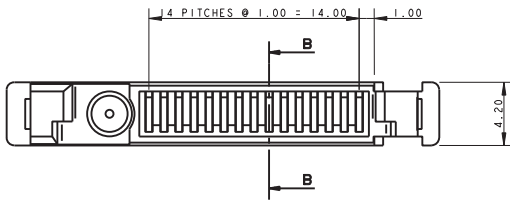
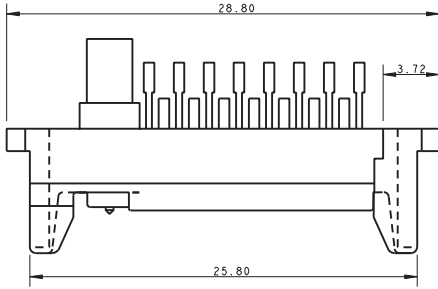
NOTES:

1. ALL DIMENSIONS SHOWN ARE REFERENCE DIMENSIONS.
2. PACKED IN TAPE AND REEL, 300 PIECES PER REEL.
3. FOR FULL PRODUCT INFORMATION REFER TO ELCO SPECIFICATION 201-01-079.

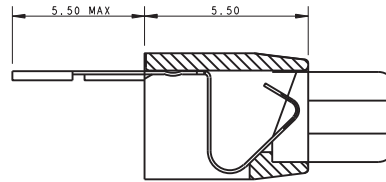
I/O CONNECTORS

Standard I/O, 15 Position, XX-9157

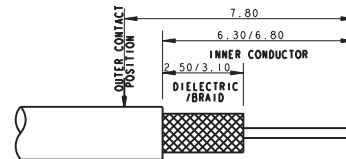
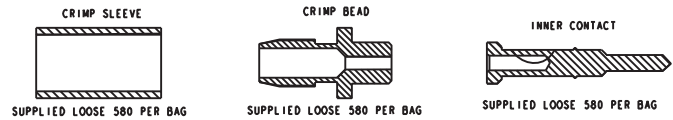
9157 PLUG WIRE WITH COAX



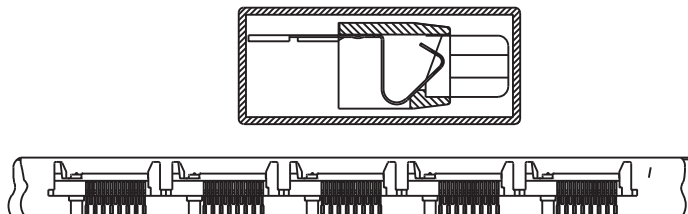
SECTION B-B



CRIMPING DETAILS



PACKING DETAILS



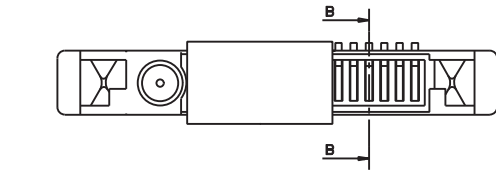
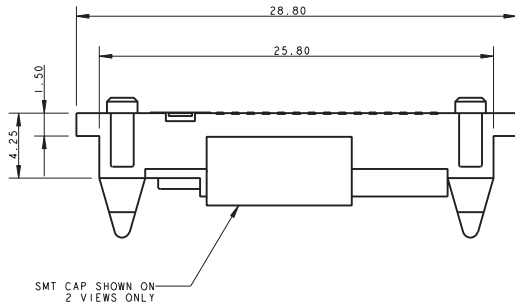
NOTES:

1. TOOL TO CRIP BARREL ELECO PART NUMBER 06-9157-7117-01-000.
2. ALL DIMENSIONS SHOWN ARE REFERENCE DIMENSIONS.
3. PACKED IN TUBES, 20 PIECES PER TUBE.
4. MINIMUM ORDER QUANTITY 580 PIECES, THEREAFTER TO BE SUPPLIED IN MULTIPLES OF 580.
5. FOR FULL PRODUCT INFORMATION REFER TO ELCO SPECIFICATION 201-01-079.

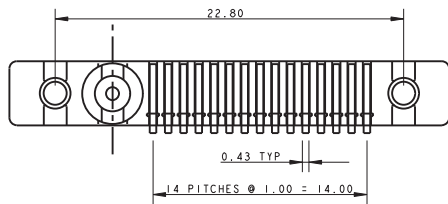
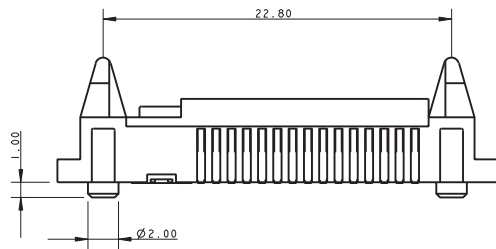
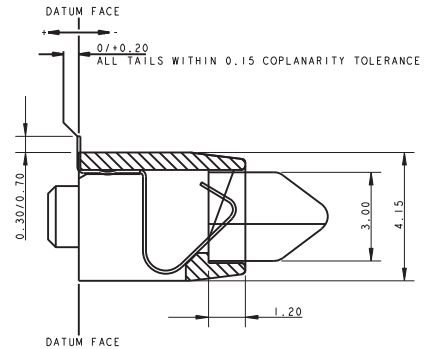
I/O CONNECTORS

Standard I/O, 15 Position, XX-9157

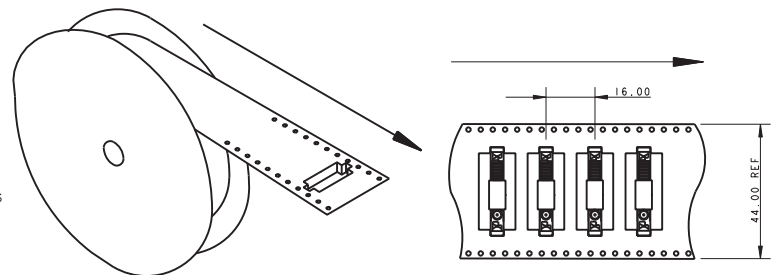
9157 PLUG SMT WITHOUT COAX



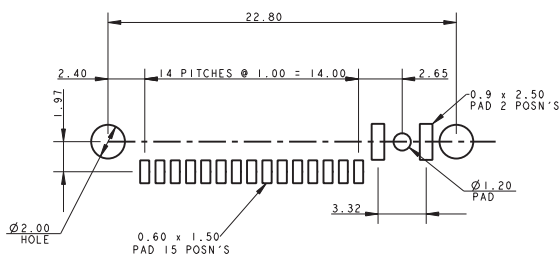
SECTION B-B



PACKING DETAILS



PCB LAYOUT



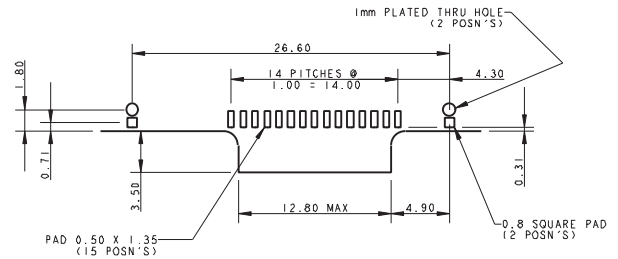
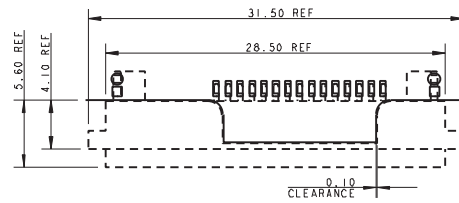
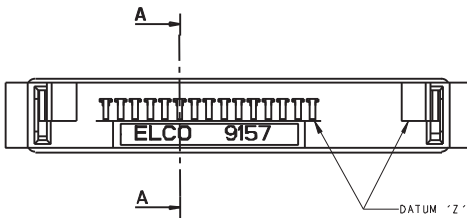
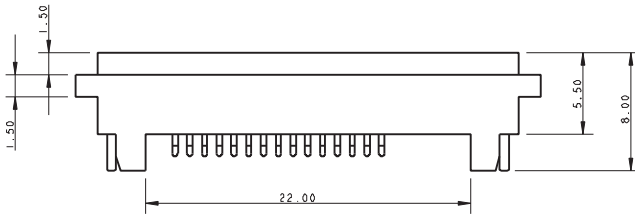
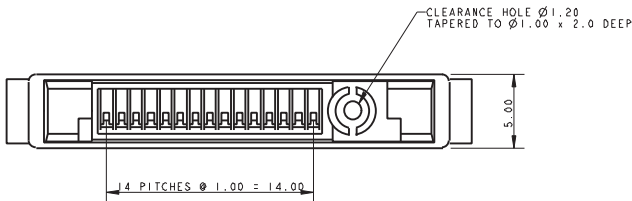
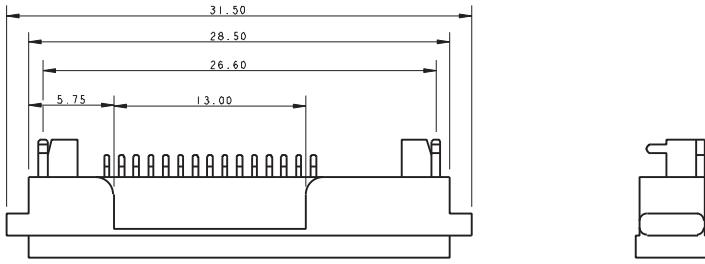
NOTES:

1. ALL DIMENSIONS SHOWN ARE REFERENCE DIMENSIONS UNLESS TOLERANCED.
2. PACKED IN TAPE AND REEL, 300 PIECES PER REEL.
3. FOR FULL PRODUCT INFORMATION REFER TO ELCO SPECIFICATION 201-01-079.

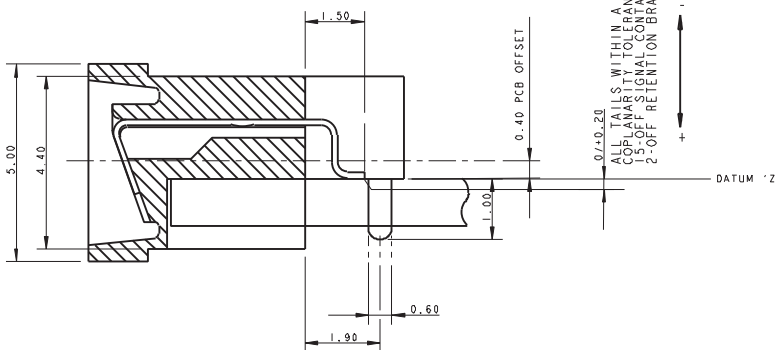
I/O CONNECTORS

Standard I/O, 15 Position, XX-9157

9157 SOCKET WITHOUT COAX



RECOMMENDED PCB LAYOUT



SECTION A-A

ALL TAILS WITHIN A 0.10 COPLANARITY TOLERANCE
COPLANARITY TOLERANCE APPLIES TO :-
2-OFF RETENTION BRACKETS.

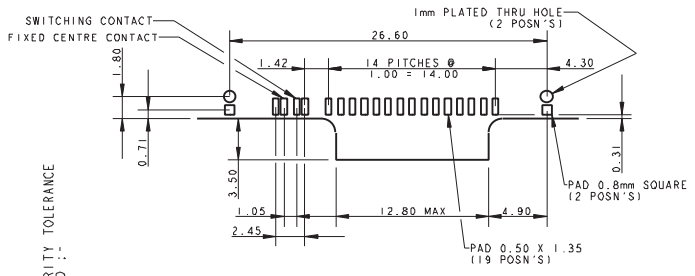
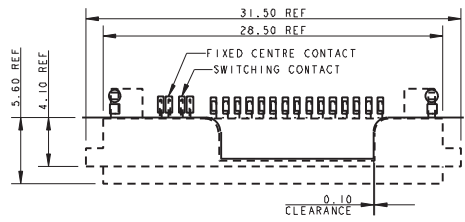
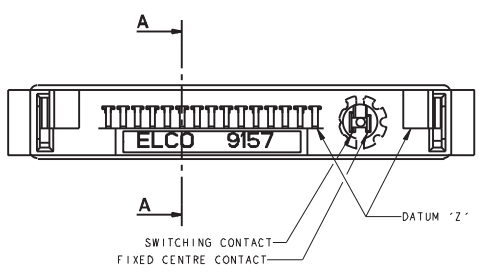
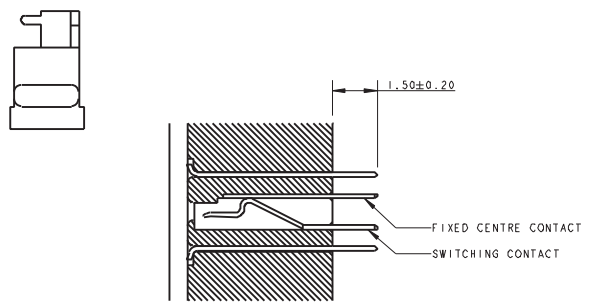
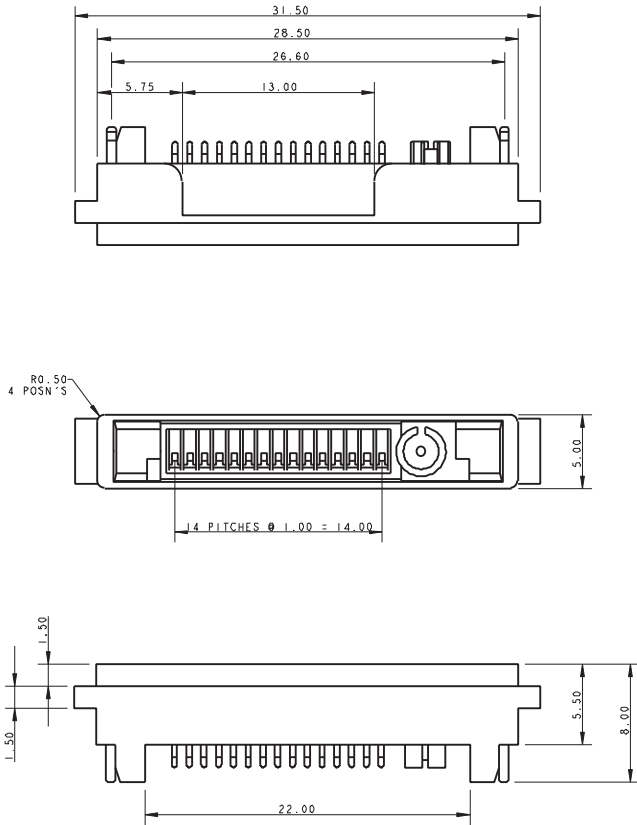
NOTES:

1. ALL DIMENSIONS SHOWN ARE REFERENCE DIMENSIONS UNLESS TOLERANCED.
2. FOR FULL INFORMATION REFER TO ELCO SPECIFICATION 201-01-079.

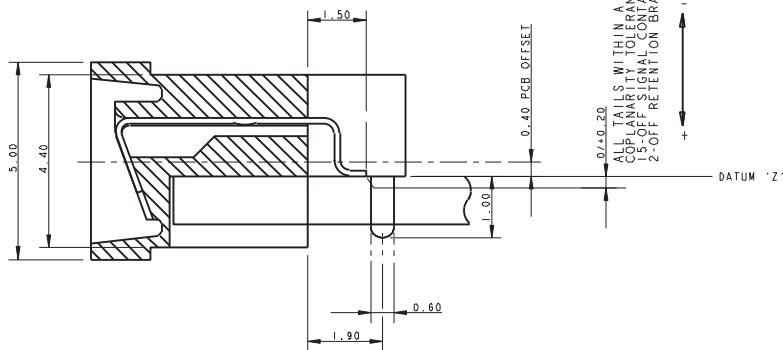
I/O CONNECTORS

Standard I/O, 15 Position, XX-9157

9157 SOCKET WITH COAX



RECOMMENDED PCB LAYOUT



SECTION A-A

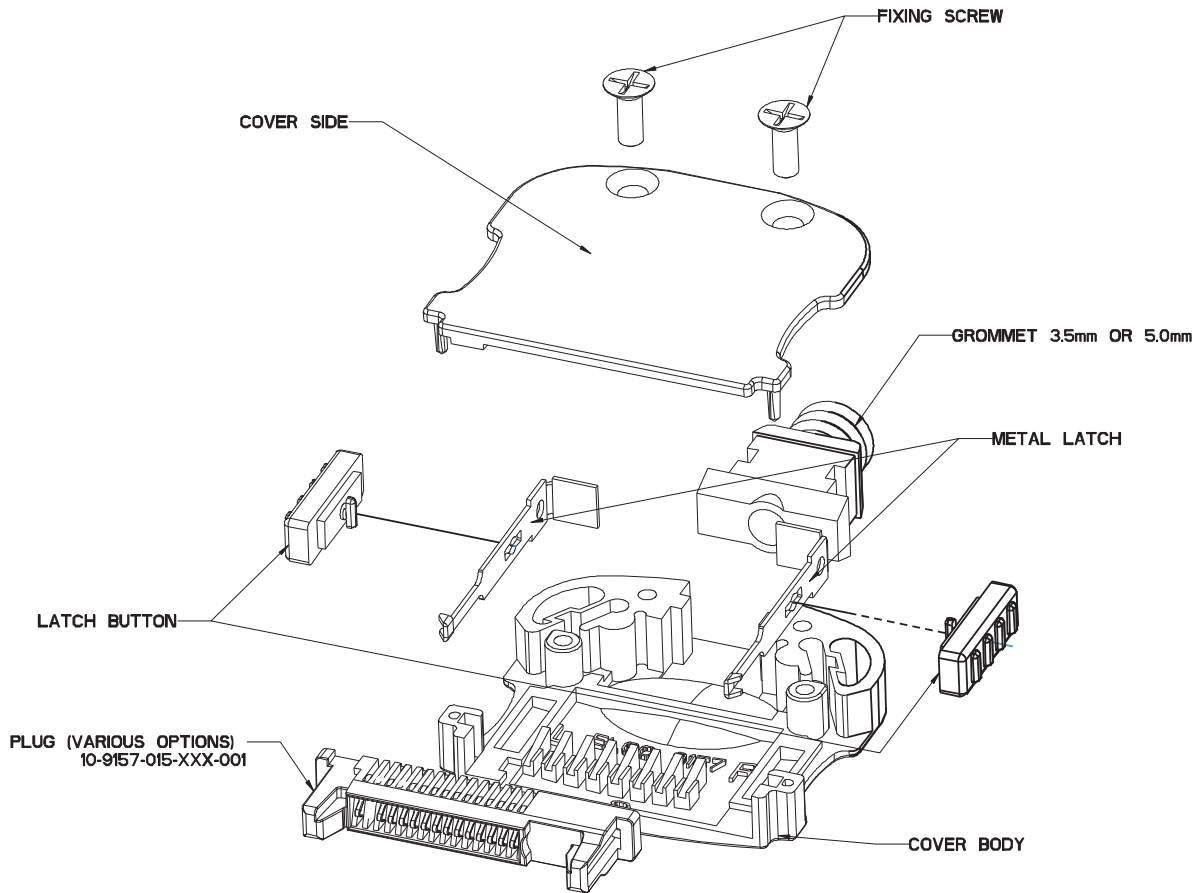
ALL TAILS WITHIN A 0.10 COPLANARITY TOLERANCE
 USE 200µm SIGNAL CLEARANCE
 0.50 OFF SIGNAL CLEARANCE
 2-OFF RETENTION BRACKETS.

- NOTES:**
1. ALL DIMENSIONS SHOWN ARE REFERENCE DIMENSIONS UNLESS TOLERANCED.
 2. FOR FULL INFORMATION REFER TO ELCO SPECIFICATION 201-01-079.

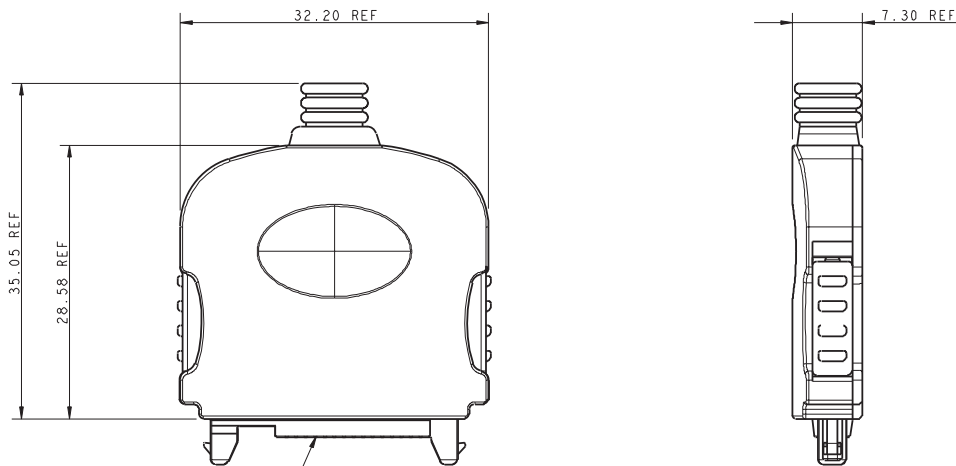
I/O CONNECTORS

Standard I/O, 15 Position, XX-9157

30-9157-9700-00-XXX PRESS AND SCREW VERSION



COVER KIT SHOWN FULL ASSEMBLED WITH PLUG ASSEMBLY 10-9157-015-XXX-001



PLUG 10-9157-015-XXX-001

NOTES:
3 FOR FULL PRODUCT INFORMATION REFER TO
ELCO SPECIFICATION 201-01-079.