

# Part No. 1002429

## GLONASS Ceramic Patch Antenna

1.602 GHz

Supports: : GNSS systems, Global antenna embedded systems, Satellite positioning systems, GLONASS



KYOCERA AVX antennas deliver on the key needs of device designers for higher functionality and performance in smaller/thinner designs. These innovative antennas provide compelling advantages for a GLONASS enabled handheld devices, media players and other mobile devices.

### GLONASS Ceramic Patch Antenna

1.593 – 1.610 GHz

#### KEY BENEFITS

##### Reduced Costs and Time-to-Market

Standard antenna eliminates design fees and cycle time associated with a custom solution; getting products to market faster.

##### Quicker Time-to-Market

By optimizing antenna size, performance and emissions, customer and regulatory specifications are more easily met.

##### Environmental Compliance

Products are the latest RoHS version compliant.

#### APPLICATIONS

- Embedded design
- Gateway, Access Point
- Handheld
- Telematics
- Tracking
- M2M, Industrial devices
- Smart Grid
- OBD-II

#### Electrical Specifications

Typical performance on 60 x 60 mm PCB

Frequency	1.593 – 1.610 (GHz)
Efficiency	70%
Center Frequency $f_0$	1602 ± 5.0 MHz
Return Loss	< -16 dB
Gain 0° XZ-Plane	6.50 dBic
Polarization	R.H.C.P
Impedance	50 ohm
Axial Ratio	< 3 dB

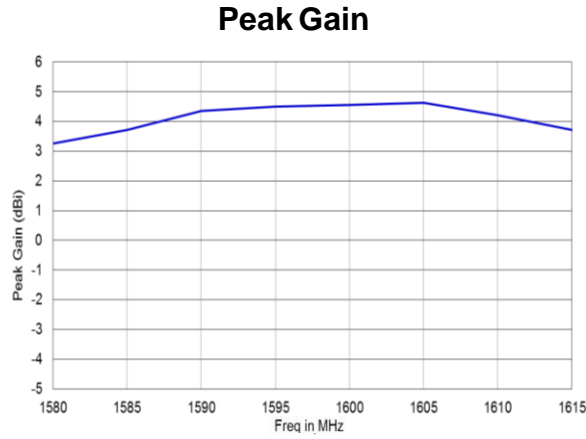
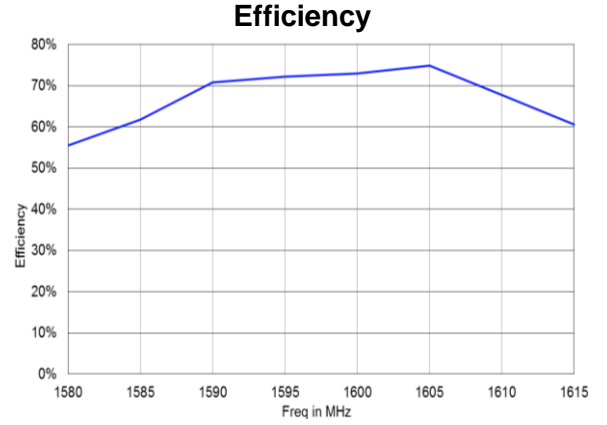
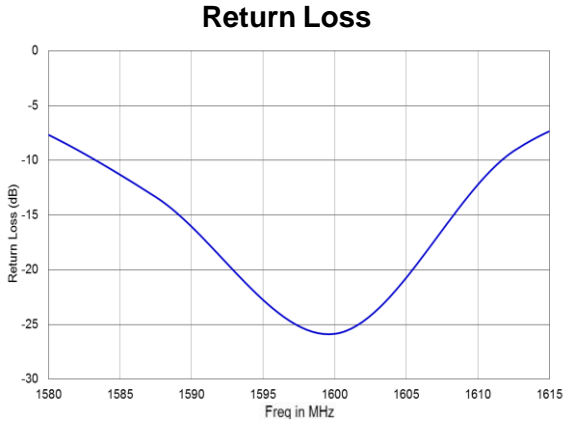
#### Mechanical Specifications & Ordering Part Number

Ordering Part Number	1002429
Size (mm)	25.0 x 25.0 x 4
Mounting (mm)	Adhesive (Nitto 5000NS 22 x 22 x 0.16) & 1 through-hole Soldered Pin
Weight (grams)	9.4
Packaging	Plastic Tray
Additional Resources	<a href="#">Download 3D FIT Files</a>

**GLONASS Ceramic Patch Antenna KYOCERA AVX Embedded Antenna Specifications**  
 KYOCERA AVX produces a wide variety of standard and custom antennas to meet user needs.

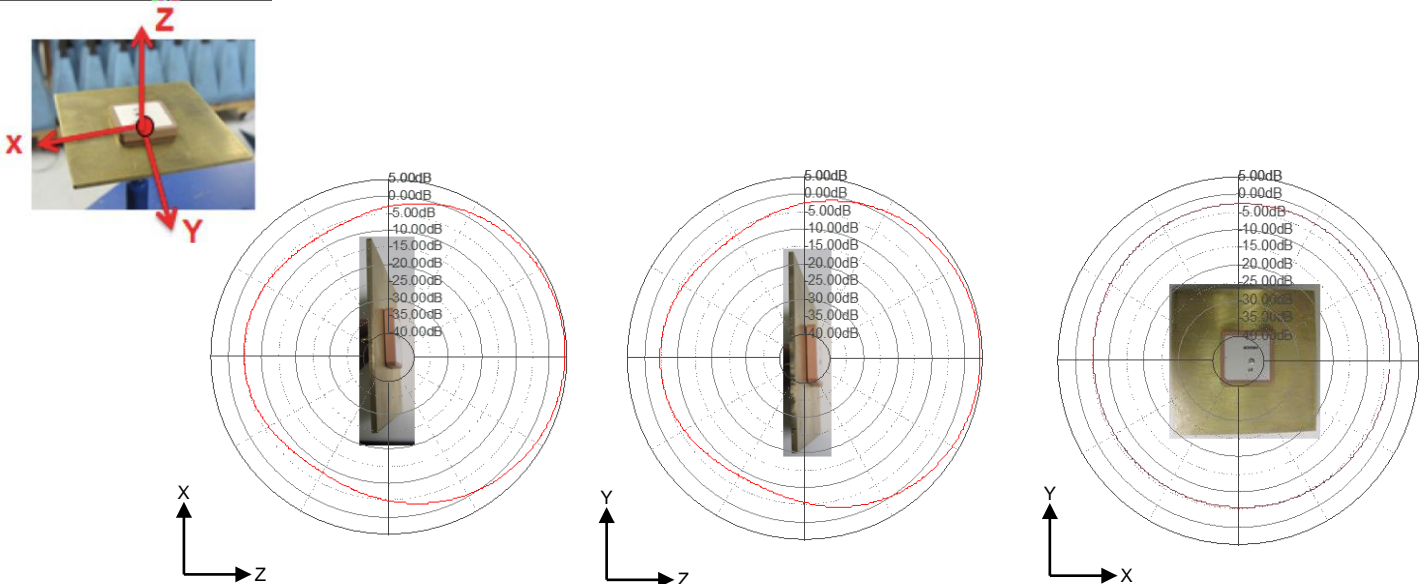
**VSWR, Efficiency, Peak Gain Plots**

Typical performance on 60 x 60 mm PCB



**Antenna Radiation Patterns**

Typical performance on 60 x 60 mm PCB

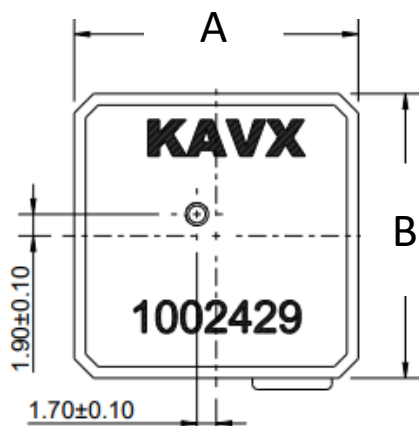


GLONASS Ceramic Patch Antenna KYOCERA AVX Embedded Antenna Specifications  
 KYOCERA AVX produces a wide variety of standard and custom antennas to meet user needs.

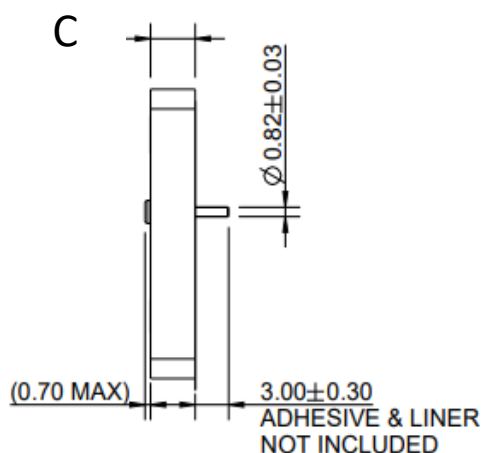
### Mechanical Dimensions

Typical antenna dimensions, in mm.

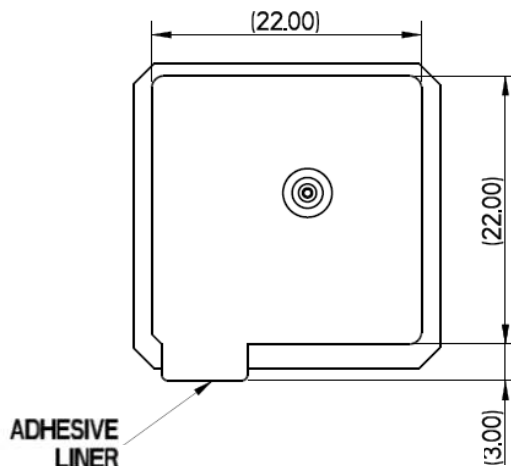
Part Number	A (mm)	B (mm)	C (mm)
1002429	25.0 ± 0.2	25.0 ± 0.2	4.0 ± 0.2



**Top View**



**Side View**



**Bottom View  
 (with Adhesive Liner)**

GLONASS Ceramic Patch Antenna KYOCERA AVX Embedded Antenna Specifications  
KYOCERA AVX produces a wide variety of standard and custom antennas to meet user needs.

---

**Additional Resources 1002429- GLONASS Ceramic Patch Antenna**

**3D FIT File:**

[https://www.kyocera-avx.com/download/antennas/ME-FIT/1002429\\_ME\\_fit.zip](https://www.kyocera-avx.com/download/antennas/ME-FIT/1002429_ME_fit.zip)